

Introducing the GC-1000 Energy Saving Hotel Room Control

Features:

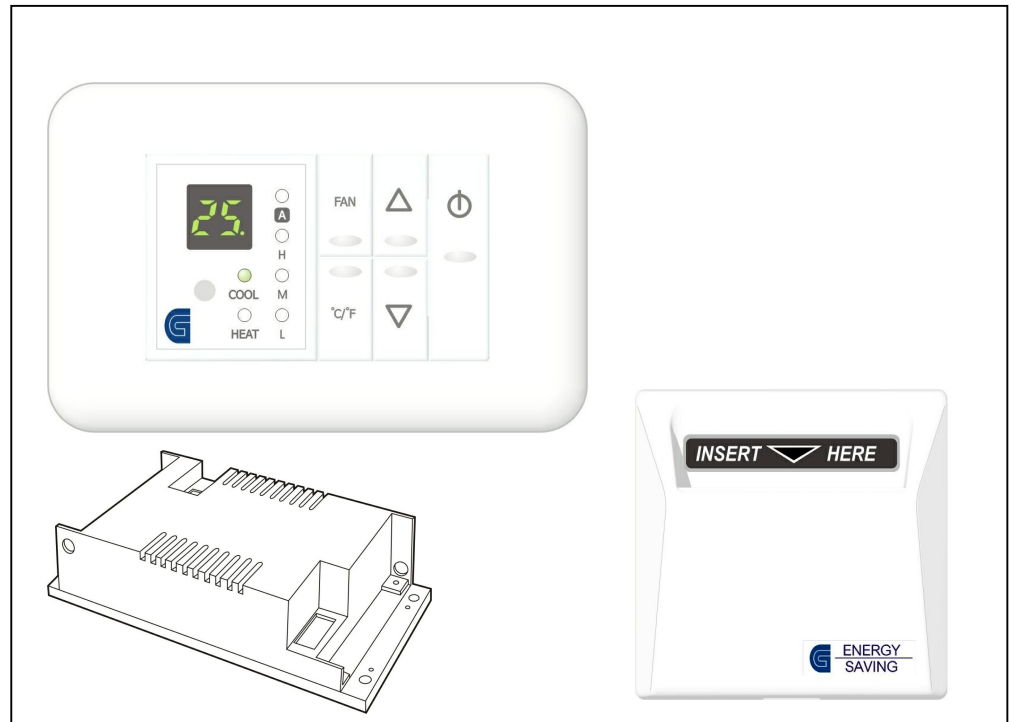
- Air Conditioner Control
- Lighting Control
- Outlet Control
- Key Card Input for Occupancy
- Door or Window Sensor
- Flush Mount Display Unit

Hardware Selection :

- Time Delay for Key Card
 - 30, 60 or 90 seconds

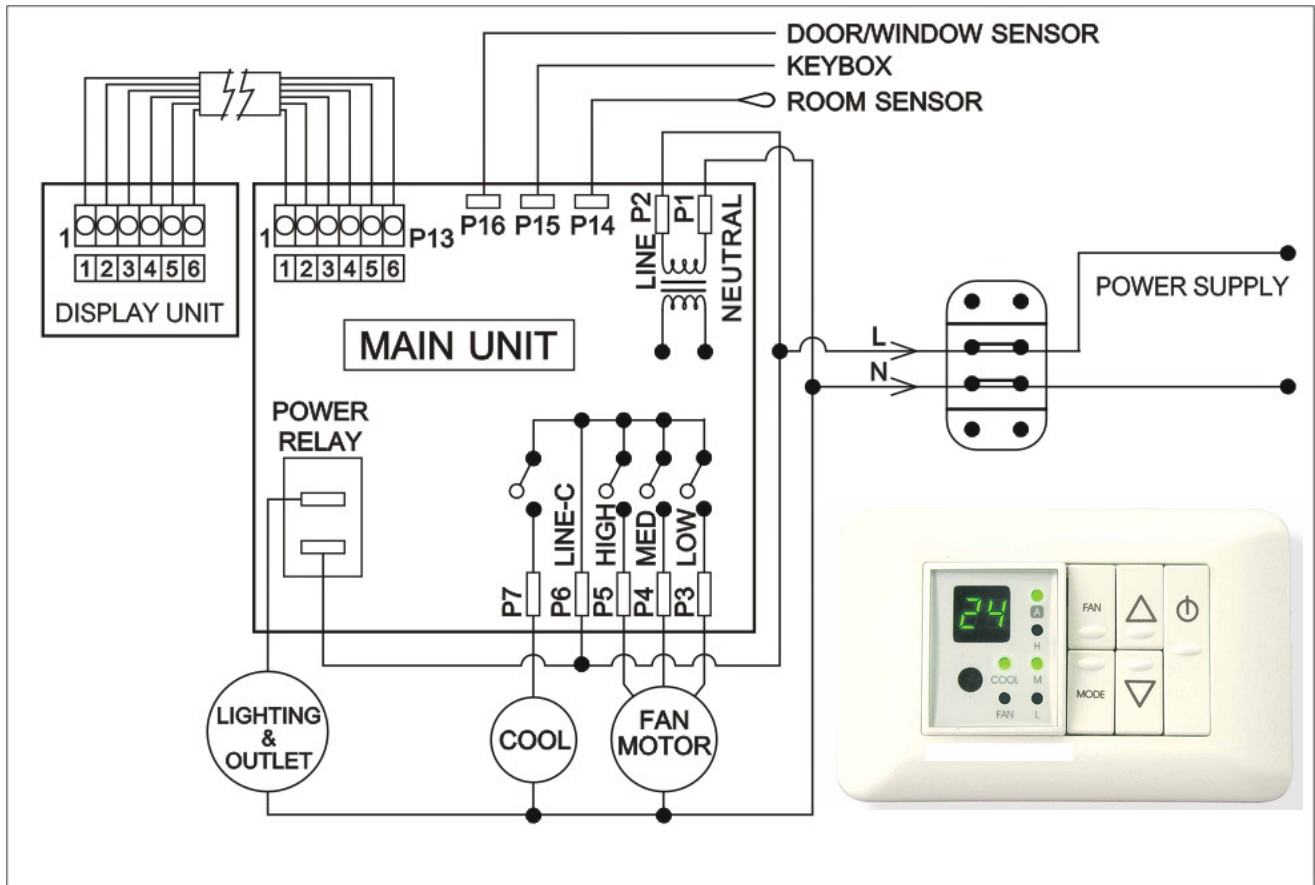
Software Selection :

- Energy Saving Operation
 - Raise Temperature
 - Turn Off Air Conditioner
- Low Limit Set Point
 - 19°C (67°F)
 - 21°C (70°F)
- Temperature Display
 - Sensed Temperature
 - Set Point
- Compressor Delay Time
 - No Time Delay
 - 3 Minute Delay
- Door/Window Delay Time
 - 60 seconds
 - 15 seconds



True HVAC professionals always demand the best. The GC-1000 Energy Saving Control is designed for hotel applications. It is used to control the air conditioner, lighting and outlets all in one controller. An integrated key card system is provided to save energy when the room is unoccupied. A door or window sensor is included with the system to provide additional energy savings. Reliability and long term durability are guaranteed and backed up with many years of thermostat design experience.

“Energy Savings of 15 to 20% for Hotels & Resorts”



SPECIFICATION

POWER SUPPLY	
GC1000-001 / 120 VAC system	105 – 128 VAC, 50/60 Hz
GC1000-002 / 220 VAC system	198 – 250 VAC, 50/60 Hz
TEMPERATURE	
Storage temperature	0 – 70 °C
Ambient temperature	10 – 50 °C
Setting temperature range	19 – 30 °C (64 – 88 °F) or 21 – 30 °C (70 – 88 °F)
RELAY RATING	
Lighting & Outlets	20 A (resistive load)
Air conditioner (comp. & fan)	5 A (resistive load)