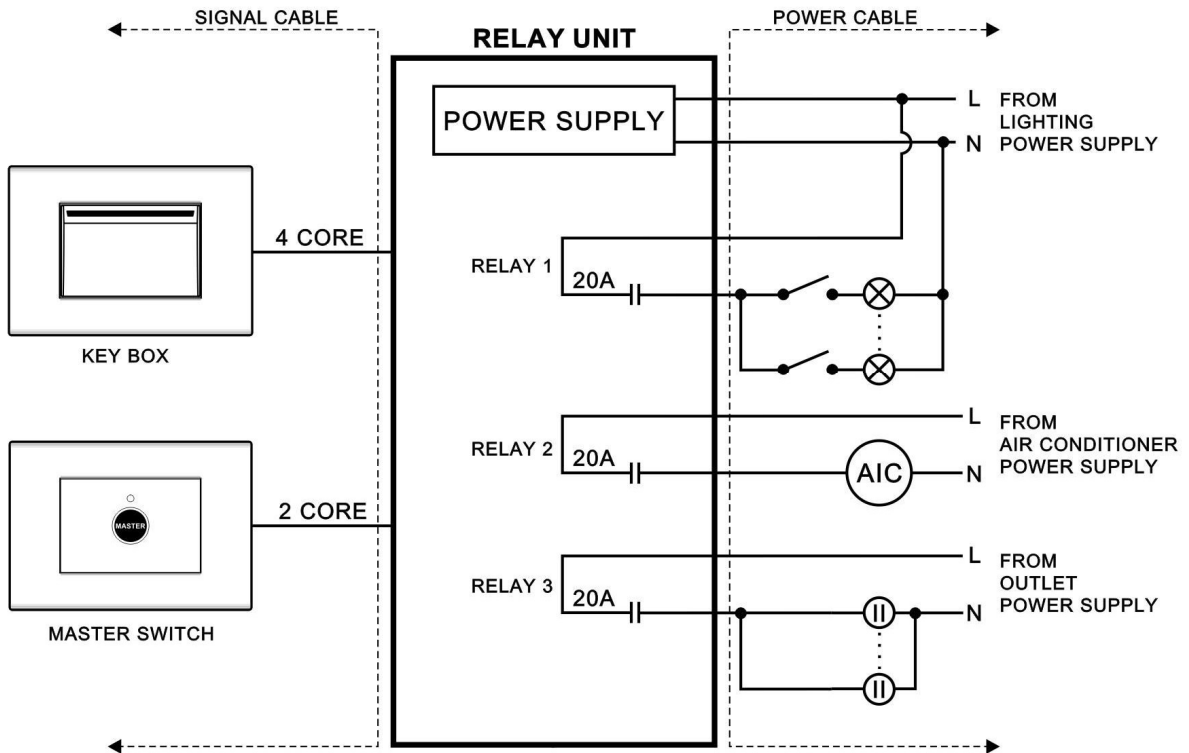


The Hotel's Solution For Energy Saving, Comfort and Convenience.

1. GENERAL

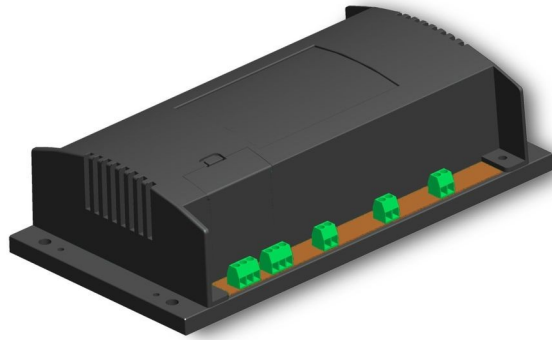
Intronics offers i-SAVE 1001 an energy saving device used in the hotel s'guestroom. When the Key card is pulled out of the Key box, the system will cut off the power supplied to the lighting, outlets and air conditioner.



Block diagram for i-SAVE 1001 model

i-SAVE 1001 is equipped with the following devices :

**1.1 Relay unit :** which is a microprocessor controlled device used to control the lighting, outlets and air conditioner. It provides the following relays



- Relay 1 : 20 A (resistive load), 220 Vac for lighting.
- Relay 2 : 20 A (resistive load), 220 Vac for air conditioner.
- Relay 3 : 20 A (resistive load), 220 Vac for outlets.

**Note :** For the specific outlets (such as for refrigerator) that the power can not be cut off, these outlets shall be connected directly to the power supply.

**1.2 Key box :** is used for the insertion of the Key card. It can be Magnet, Micro switch or Photo reflect (using the reflection of the light on the Key card) type.



**1.3 Master switch (optional) :** This switch is used as the Master switch to turn on/off the lightings.



## 2. FEATURES

- 2.1 Energy savings :** When the Key card is pulled out from the Key box, after a predetermined delay time the system will cut off the power supplied to the lighting, outlets and air conditioners. When the Key card is inserted into the Key box, the system will supply the power to all equipment.
- 2.2 Programming :** The user can set up the delay time to be 30 or 60 seconds.
- 2.3 Master Switch (optional) :** The lighting master switch is used for lighting control. It will turn on/off Relays 1.